

## STAINLESS STEEL LAB TABLE AND WORK BENCH

The stainless steel work bench is made of stainless steel material, which is beautiful and hygienic, corrosion-resistant, acid proof, alkali proof, and dustproof. It can effectively prevent the growth of bacteria and is the most ideal workbench for various industries. Suitable for testing, maintenance, and product assembly in various industries; It can meet the requirements of modern production and meet the principle of man-machine, so that the operation standard of the site staff is comfortable and the conception and creativity of the environment can be realized quickly.

### CHECK ZH'S STAINLESS STEEL LAB TABLES:



[Stainless Steel Cleanroom Table](#)



[Stainless Steel Table with Cabinet](#)

ZH LAB manufactures cleanroom work tables, stainless steel lab tables. Heavy-duty lab tables are designed to load 700 lbs./m<sup>2</sup> to meet strict safety and stability requirements. ZH LAB all [stainless steel lab tables](#) are fully-welded and designed to meet the most stringent cleanliness classifications.

Stainless steel cabinet workbenches provide an easily accessible concealed storage space underneath your workstation for a clean and tidy lab. All the tables will be provided with a leveling

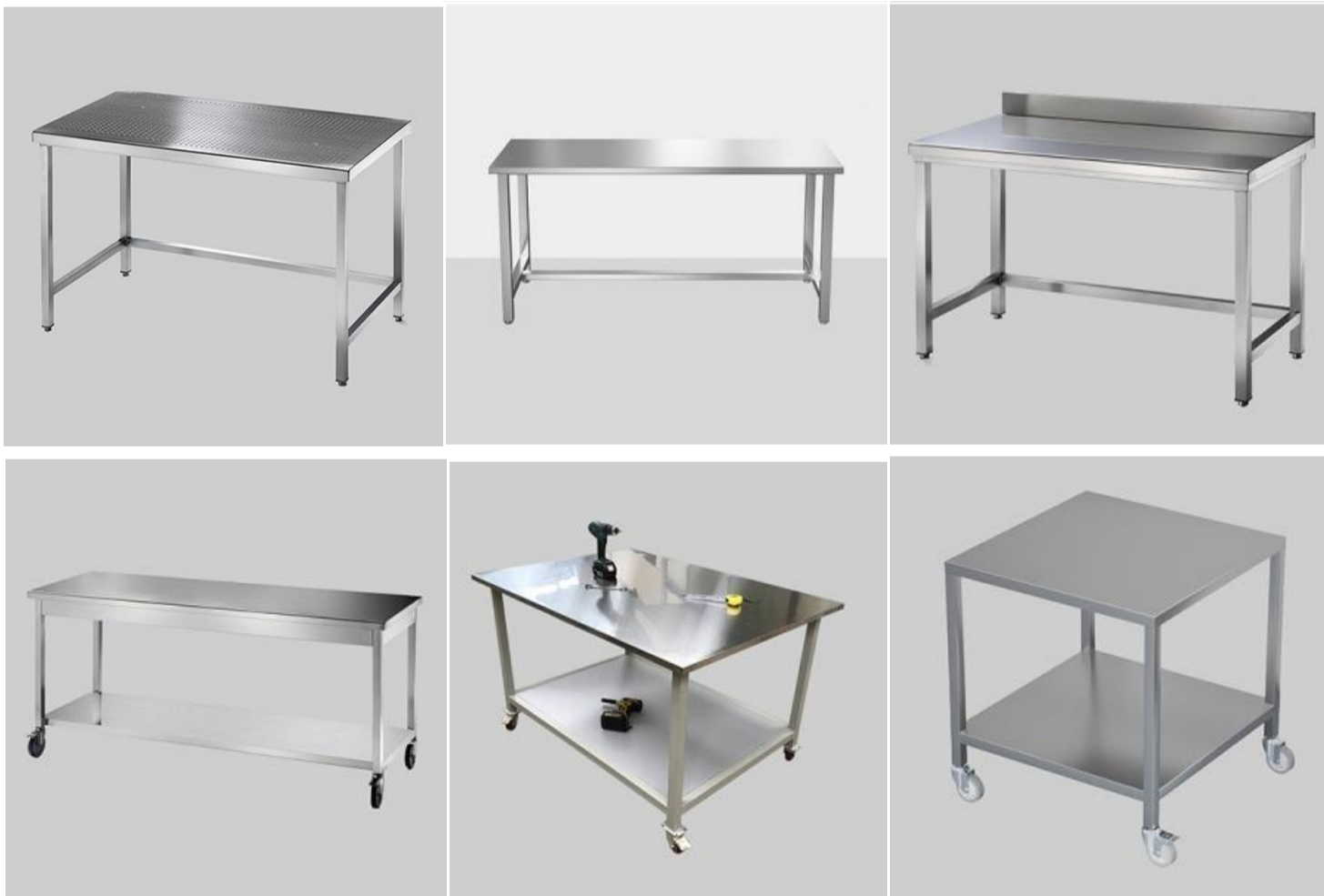
system that allows them to adjust the precise height of the furniture. Or you can add universal wheels for easy storage (optional).

Shop our wide selection of stocked designs or chat with a live product specialist to discuss your unique requirements. Whether you need a dimension modification or a whole new design, our team will work with you to develop an effective and affordable solution.

## BEST STAINLESS STEEL WORK TABLE

It's very important to choose right tables for any laboratory room. If your lab demands a hygienic and sterile space, then stainless steel work table will be the best choice. Stainless steel is one of the most durable laboratory casework materials out there. We are your one-step-shop for top quality commercial [stainless steel clean room table](#).

**Call now! +86-13302388256**

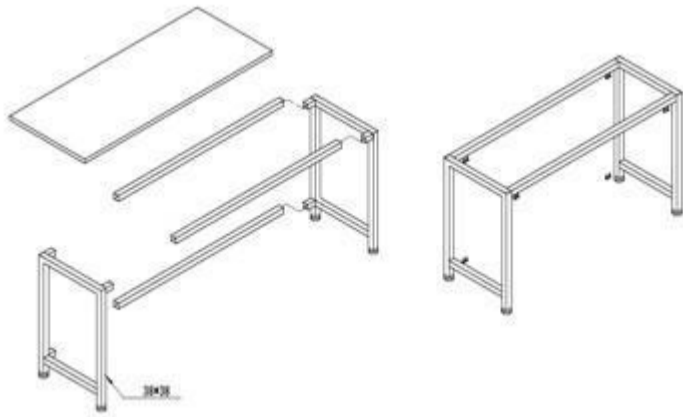


The customers choose us because of the low price and satisfied service, meanwhile we win long term friendship because of top quality. Contact our professional workers today.

Phone: +86-13302388256

Email: [info@zhlabsfurniture.com](mailto:info@zhlabsfurniture.com)

Address: No.3068, Liangsha Road, Chendong Village, Zhongluotan Town, Baiyun District, Guangzhou City, Guangdong Province, China



Our Fully encapsulated stainless steel work surface is ideal for high-end applications where cleanliness is critical;

Prevent contaminants from entering exposed edges and surfaces with no ability to clean. Smooth rounded edges increases operator comfort, reduces particulate shedding from abrasive edges.

## STAINLESS STEEL CLEANROOM TABLES DETAILS

- Standard Specification:

24 x 48 stainless steel table (1200\*600mm)

24 x 60 stainless steel table (1500\*600mm)

24 x 72 stainless steel table (1800\*600mm)

30 x 60 stainless steel table (1500\*750mm)

30 x 72 stainless steel table (1800\*750mm)

OEM is acceptable.

- Type: Fixed Height
- Top Material: 304 Stainless Steel, With reinforcement on the underside to add strength;
- Top Design: Solid, Perforated
- Frame Material: 304 SS, Legs are 38\*38\*1.2mm high quality stainless steel;
- Smooth edge to avoid hurt.
- Stainless steel resists harsh biocides and alcohol-based cleaners.
- Cleanroom tables available in 304 stainless steel; upgrade to 316L stainless steel for increased corrosion resistance.
- Perforated tops open up 40% of the total surface for airflow.
- Adjustable nylon leveling feet resist broad range of chemicals.
- Heavy-gauge Type, 700 lbs./m<sup>2</sup>.
- Easy installation; Section by section welding structure; Screw holes are already made in our factory.

## CLEAN ROOM WORK TABLE OPTIONAL FEATURES

Heavy duty casters, two locking, two standard



Can with shelf for maximum storage



## STAINLESS STEEL CLEANROOM TABLES FAQ:

**Can the stainless steel table be added undershelf or drawers?**

Yes, undershelf, drawer or back splash is available.

### **Is the stainless steel table 304ss or 201ss?**

The standard is 304 stainless steel, enough 1.0mm thickness for tops. Legs 1.2mm thickness. 201ss or 316ss is available for big order.

### **What is the height of stainless steel table?**

The majority Height from 700mm to 900mm, anyway, your specific needs determine the height of it.

### **Is stainless steel table durable?**

Yes, we only provide high quality items. The loading capacity is 700lbs./m<sup>2</sup>.

### **Is the stainless steel table modular?**

Yes, the modular design allows quickly shipment and easy maintenance in case there is any damage.

### **Is the stainless steel table movable?**

Yes, our ss table can be moved and casters can be added.